



technical data



FTXR-EV1B9

R-410A

air conditioning systems

Split Sky Air

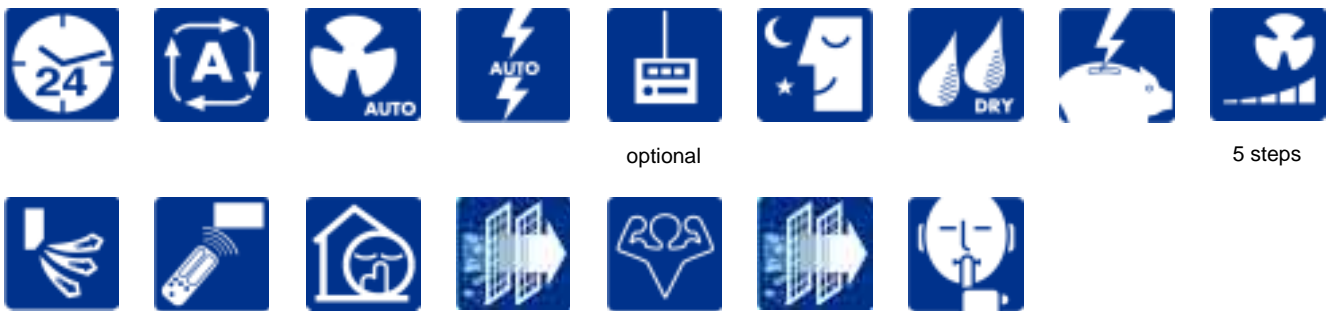
TABLE OF CONTENTS

FTXR-EV1B9

1	Features	2
2	Specifications	3
	For indoor units only	3
	Technical Specifications	3
	Electrical Specifications	4
3	Dimensional drawing & centre of gravity	5
	Dimensional drawing	5
	Centre of gravity	6
4	Piping diagram	7
5	Wiring diagram	8
	Wiring diagram	8
6	Sound data	9
	Sound pressure spectrum	9

1 Features

- URURU humidification: maintains a comfortable humidity level without any separate water supply
- SARARA dehumidification: maintains a comfortable and fresh indoor environment by removing moisture from the air without lowering the temperature
- Energy efficient: full range A class labels (EER = 5.00/COP = 5.14)
- Powerful ventilation: refreshes the room within 2 hours
- Powerful air purification: increases indoor air quality with Daikin Flash Streamer technology
- Comfortable air flow
- Stylish design
- Other features: moisturizing operation mode, breeze cooling air flow, comfort sleep operation, mould shock operation



optional

5 steps

Titanium apatite photocatalytic air purification filter

2 Specifications

2-1 FOR INDOOR UNITS ONLY			FTXR28EV1B9	FTXR42EV1B9	FTXR50EV1B9
Nominal input (Indoor only)	Cooling	kW	0.030	0.035	0.040
	Heating	kW	0.030	0.035	0.040

2-2 TECHNICAL SPECIFICATIONS				FTXR28EV1B9	FTXR42EV1B9	FTXR50EV1B9	
Casing	Colour			White			
Dimensions	Packing	Height	mm	280	280	280	
		Width	mm	956	956	956	
		Depth	mm	378	378	378	
	Unit	Height	mm	209	209	209	
		Width	mm	890	890	890	
		Depth	mm	305	305	305	
Weight	Unit		kg	14	14	14	
	Packed Unit		kg	18	18	18	
Heat Exchanger	Dimensions	Length		700/700			
		Nr of Rows		2/1			
		Fin Pitch		1.2/1.6			
		Nr of Stages		20/12			
	Tube type		ø6.35 Hi-XU				
Fin		Type				Multi slit fin	
Fan	Type			Cross flow fan (with saw edge)			
	Quantity			1			
Air Flow Rate	Cooling	High	m³/min	11.1	12.4	13.3	
		Medium	m³/min	8.8	9.6	10.3	
		Low	m³/min	6.5	6.8	7.3	
		Silent Operation	m³/min	5.7	6.0	6.5	
	Heating	High	m³/min	12.4	12.9	14.0	
		Medium	m³/min	9.8	10.2	11.1	
		Low	m³/min	7.3	7.7	8.3	
		Silent Operation	m³/min	6.5	6.8	7.3	
Fan	Motor	Model		KFD-280-57-8A			
		Number of steps		5 STEPS, SILENT AND AUTO			
Motor	Speed (cooling)	High	rpm	1190	1300	1380	
		Medium	rpm	990	1060	1120	
		Low	rpm	790	820	860	
		Silent Operation	rpm	720	750	790	
	Speed (heating)	High	rpm	1300	1340	1440	
		Medium	rpm	1080	1110	1190	
		Low	rpm	860	890	950	
		Silent Operation	rpm	790	820	860	
Cooling	Sound Power	Medium	dBA	55	58	60	
		Sound Pressure	High	dBA	39	42	44
			Medium	dBA	33	35	37
			Low	dBA	26	27	29
			Silent Operation	dBA	23	24	26
Heating	Sound Power	Medium	dBA	57	58	60	
		Sound Pressure	High	dBA	41	42	44
			Medium	dBA	35	36	38
			Low	dBA	28	29	31
			Silent Operation	dBA	25	26	28
Refrigerant	Type			R-410A			

2 Specifications

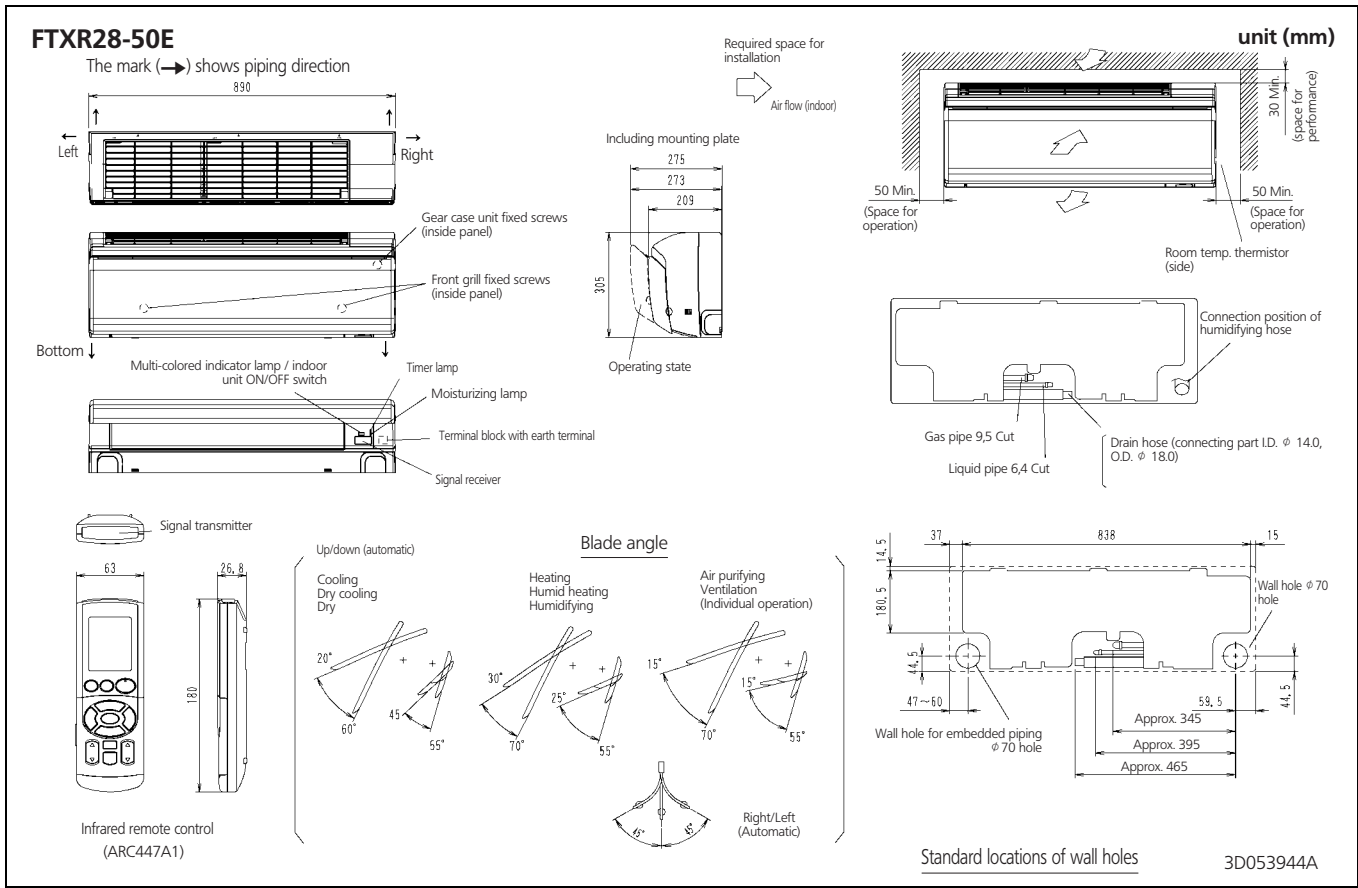
1
2

2-2 TECHNICAL SPECIFICATIONS				FTXR28EV1B9	FTXR42EV1B9	FTXR50EV1B9
Piping connections	Liquid (OD)	Diameter (OD)	mm	6.4	6.4	6.4
	Gas	Diameter (OD)	mm	9.5	9.5	9.5
	Drain	Diameter (OD)	mm	18	18	18
	Heat Insulation			Both liquid and gas pipes		
Air Filter				Removable/washable/Mildew proof		
Air direction control				Right, Left, Horizontal, Downward		
Temperature control				Microcomputer control		
Standard Accessories	Item			Installation manual		
	Quantity			1 pc.		
	Item			Operation manual		
	Quantity			1 pc.	1 pc.	1 pc.
	Item			Batteries		
	Quantity			2 pcs.		
	Item			Infrared remote control (ARC447A1)		
	Quantity			1 pc.		
	Item			Remote control holder		
	Quantity			1 pc.		
	Item			Fixing screw for indoor unit		
	Quantity			2 pcs.		
	Item			Fixing screw for drain hose		
	Quantity			1 pc.		
	Item			Air supply filter		
	Quantity			1 pc.		
	Item			Air Supply filter frame		
	Quantity			1 set		
	Item			Titanium apatite photocatalytic air purification filter		
	Quantity			1 pc.		
Item			Deodorising filter for streamer			
Quantity			1 pc.			

2-3 ELECTRICAL SPECIFICATIONS				FTXR28EV1B9	FTXR42EV1B9	FTXR50EV1B9
Power Supply	Name			V1		
	Phase			1	1	1
	Frequency	Hz		50	50	50
	Voltage			220-240		
Current	Nominal running current (RLA)	Cooling	A	0.14	0.16	0.19
		Heating	A	0.14	0.16	0.19
	Maximum Running Current			A	0.15	0.17
Wiring connections	For Power Supply	Quantity		3	3	3
		Remark		4 FOR INTERUNIT WIRING (INCLUDING EARTH WIRING)	4 FOR INTERUNIT WIRING (INCLUDING EARTH WIRING)	3 FOR POWER SUPPLY, 4 for INTERUNIT WIRING (INCLUDING EARTH WIRING)
Voltage range	Minimum			-10%		
	Maximum			+10%		

3 Dimensional drawing & centre of gravity

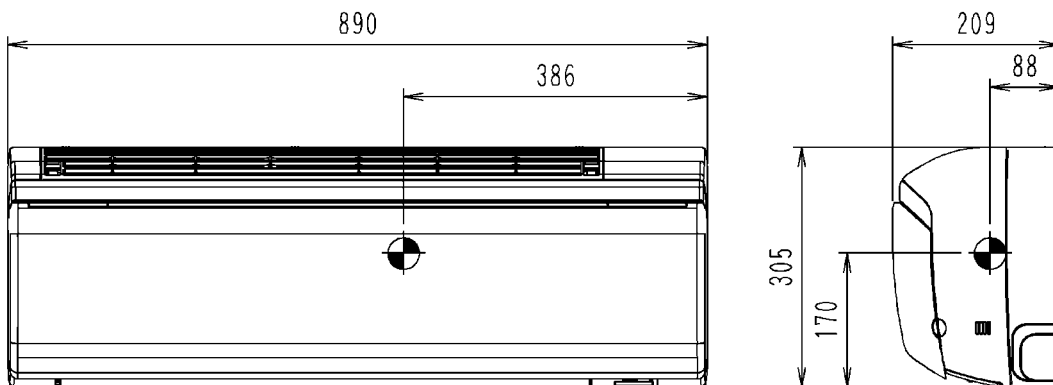
3 - 1 Dimensional drawing



3 Dimensional drawing & centre of gravity

3 - 2 Centre of gravity

FTXR28-50E

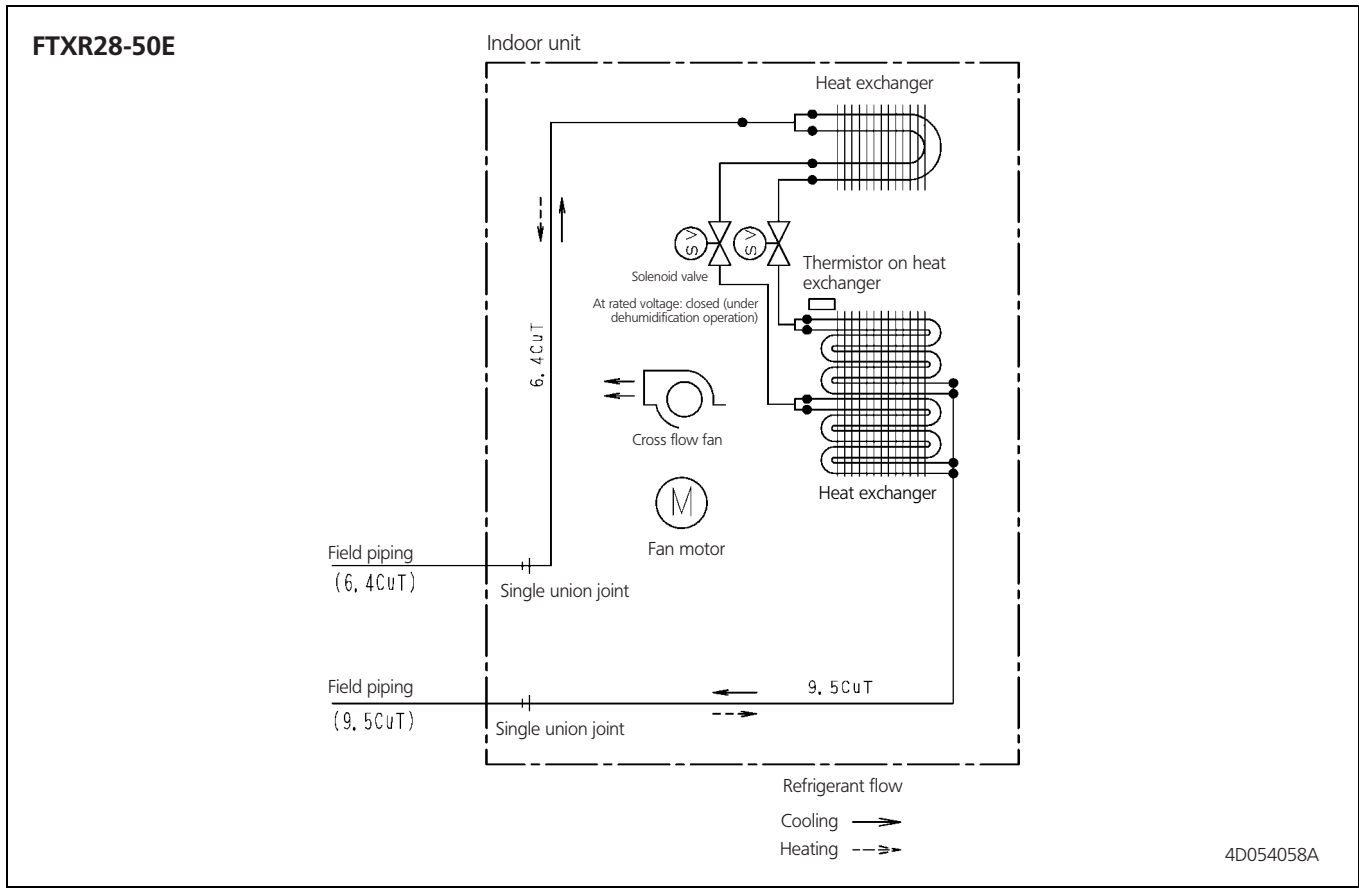


4D054060A

1

3

4 Piping diagram



1
4

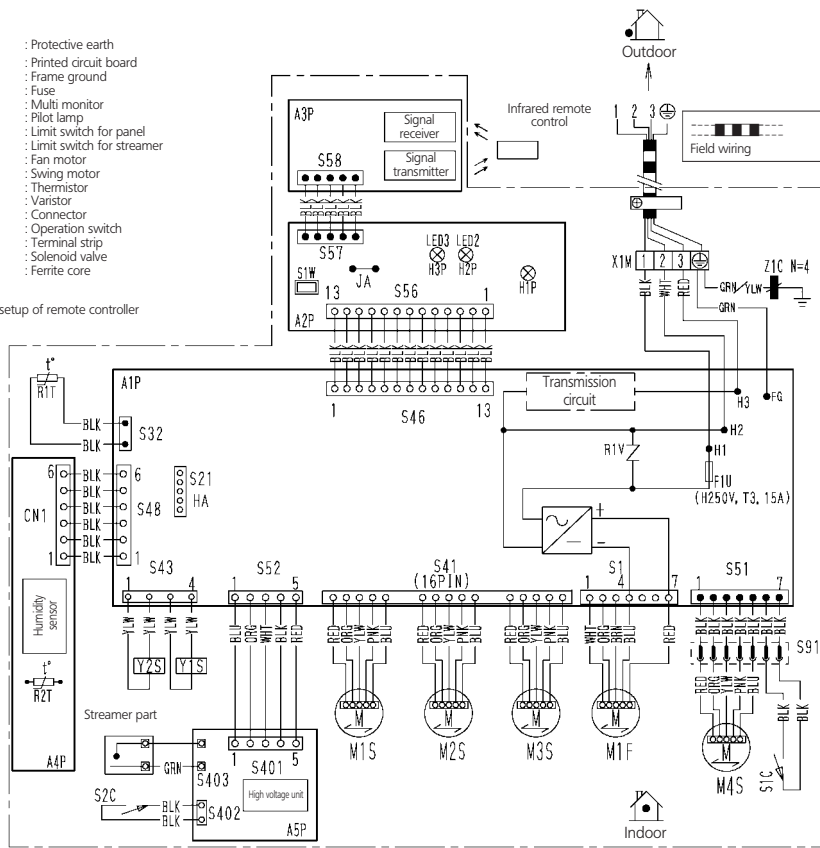
5 Wiring diagram

5 - 1 Wiring diagram

FTXR28-50E

- ⊕ : Protective earth
- A1P~ASP : Printed circuit board
- FG : Frame ground
- F1U : Fuse
- H1P : Multi monitor
- H2P~H3P : Pilot lamp
- S1C : Limit switch for panel
- S2C : Limit switch for streamer
- M1F : Fan motor
- M1S~M4S : Swing motor
- R1T, R2T : Thermistor
- R1V : Varistor
- S1~S403, CN1 : Connector
- S1W : Operation switch
- X1M : Terminal strip
- Y1S, Y2S : Solenoid valve
- Z1C : Ferrite core

Jumper
JA An address setup of remote controller



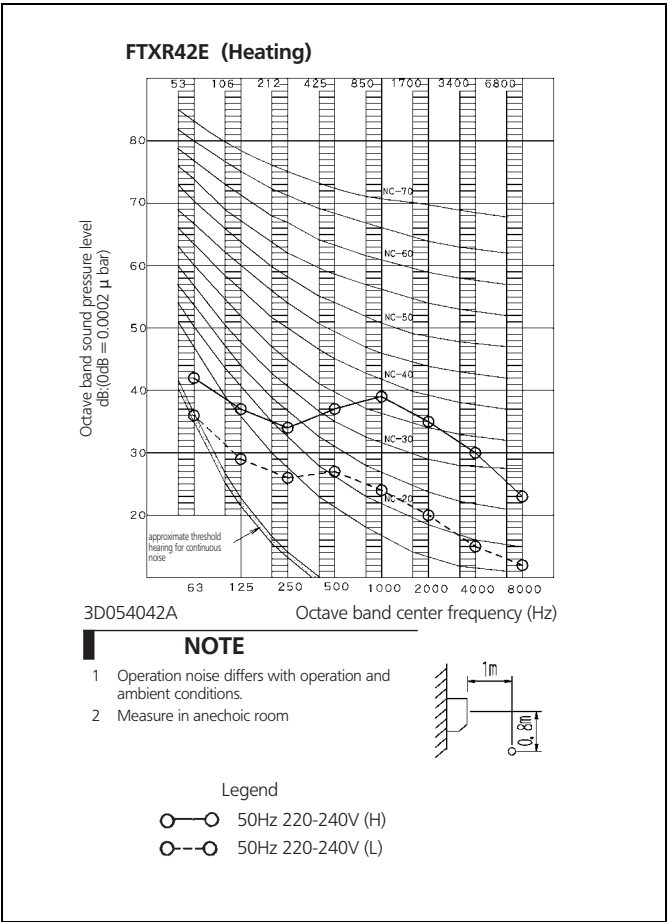
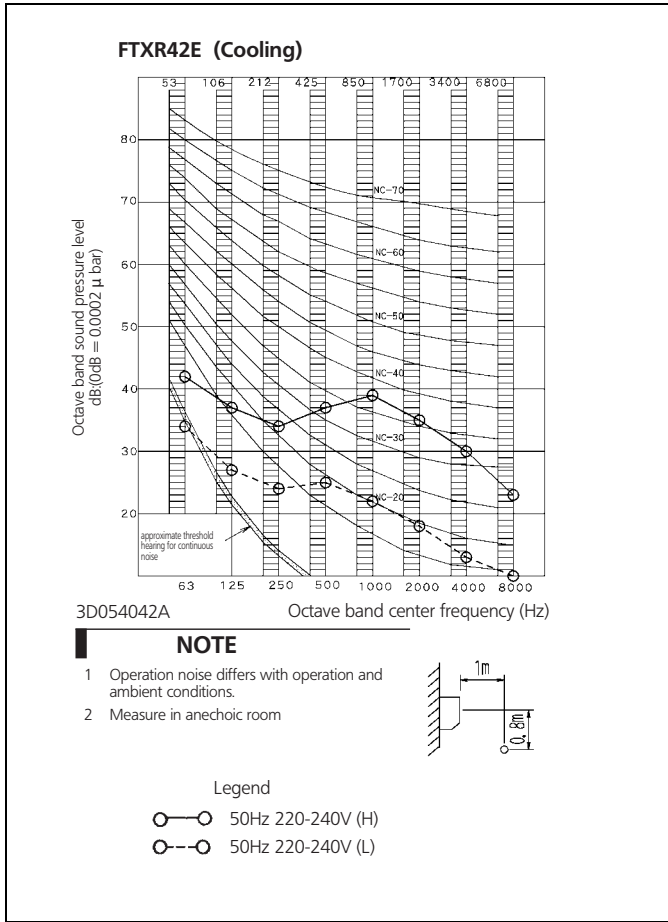
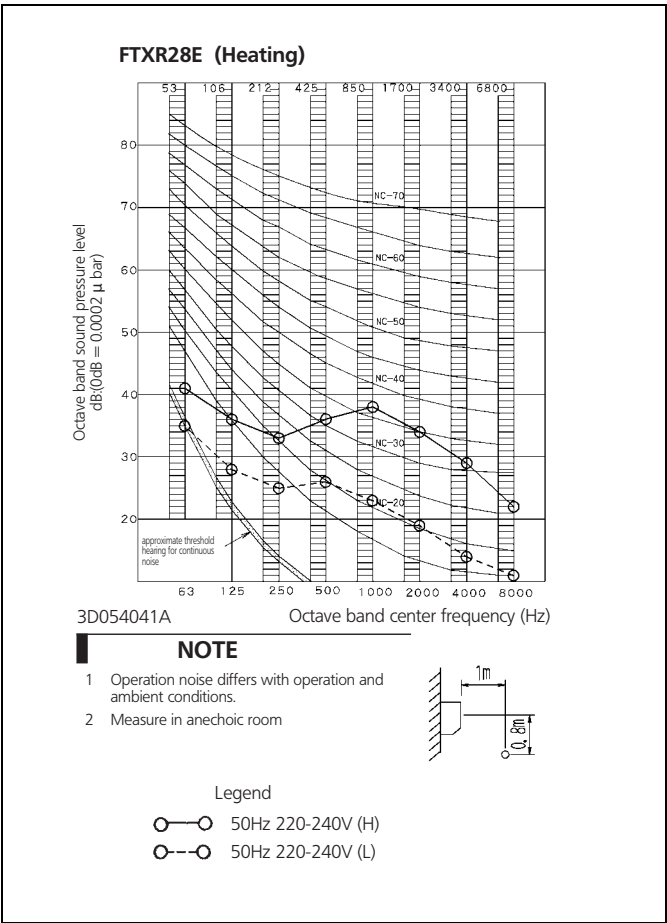
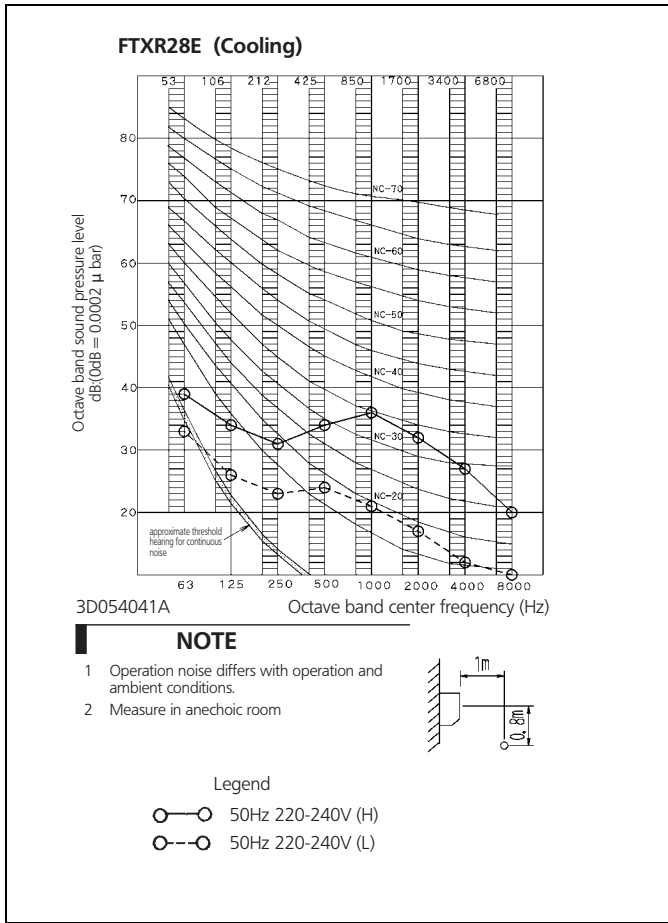
CAUTION
Note that operation will restart automatically if the main power supply is turned off and then back on again.

3D052768A

1
5

6 Sound data

6 - 1 Sound pressure spectrum

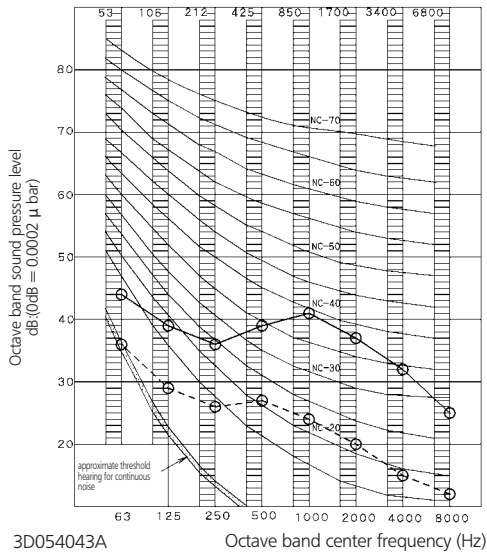


6 Sound data

6 - 1 Sound pressure spectrum

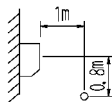
1
6

FTXR50E (Cooling)



NOTE

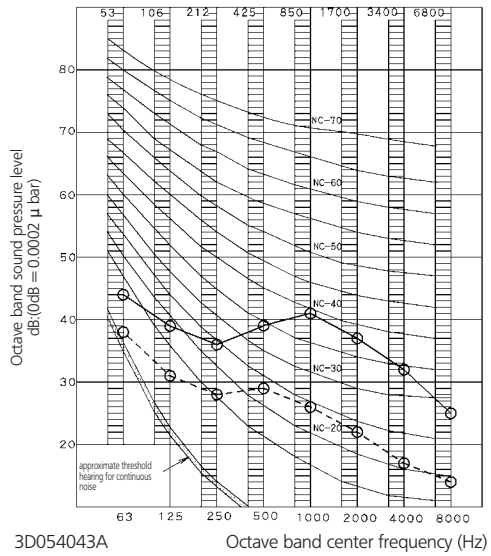
- 1 Operation noise differs with operation and ambient conditions.
- 2 Measure in anechoic room



Legend

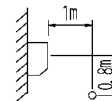
- 50Hz 220-240V (H)
- - ○ 50Hz 220-240V (L)

FTXR50E (Heating)



NOTE

- 1 Operation noise differs with operation and ambient conditions.
- 2 Measure in anechoic room



Legend

- 50Hz 220-240V (H)
- - ○ 50Hz 220-240V (L)

