



technical data



FTYN-FV1B

R-410A

air conditioning systems

Split
Sky Air

TABLE OF CONTENTS

FTYN-FV1B

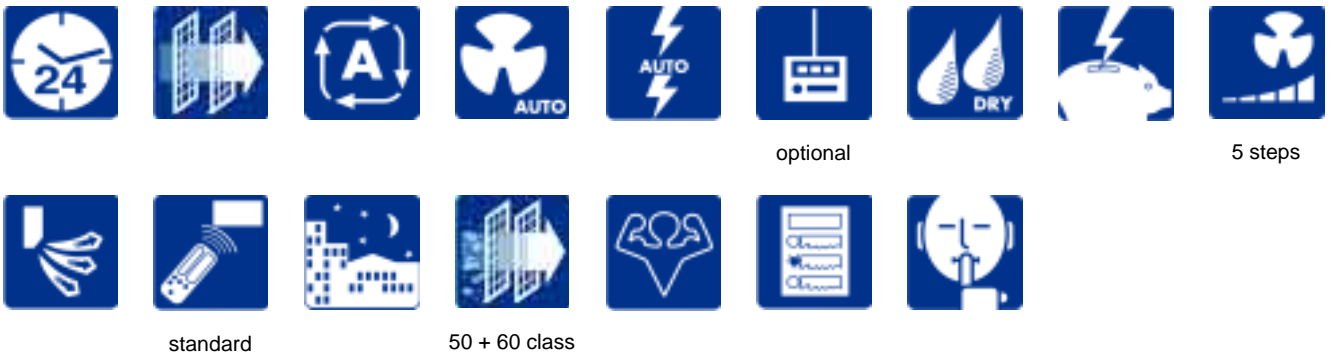
1	Features	2
2	Specifications	3
	For indoor units only	3
	Technical Specifications	3
	Electrical Specifications	4
3	Dimensional drawing & centre of gravity	5
	Dimensional drawing	5
	Centre of gravity	6
4	Piping diagram	7
5	Wiring diagram	8
	Wiring diagram	8
6	Sound data	9
	Sound pressure spectrum	9

1 Features

- Flat front panel: its stylish appearance blends easily within any interior décor and is more easy to clean.
- Lightweight and compact
- Titanium apatite photocatalytic air purification filter
- Powerful mode can be selected for rapid cooling or heating
- Auto-swing function ensures efficient air and temperature distribution.

1

1



2 Specifications

2-1 FOR INDOOR UNITS ONLY			FTYN50FV1B	FTYN60FV1B
Nominal input (Indoor only)	Cooling	kW	0.034	0.04
	Heating	kW	0.036	0.045

2-2 TECHNICAL SPECIFICATIONS				FTYN50FV1B	FTYN60FV1B
Casing	Colour			White	
Dimensions	Packing	Height	mm	337	337
		Width	mm	1147	1147
		Depth	mm	366	366
	Unit	Height	mm	290	290
		Width	mm	1050	1050
		Depth	mm	238	238
Weight	Unit		kg	12	12
	Packed Unit		kg	17	17
Heat Exchanger	Dimensions	Length	mm	863	863
		Nr of Rows		2	2
		Fin Pitch	mm	1.4	1.4
		Nr of Stages		16	16
	Tube type		Hi-XA (7)		
Fin		Type			ML fin (Multi louver)
Fan	Type			Cross flow fan	
	Quantity			1	1
Air Flow Rate	Cooling	High	m ³ /min	14.7	16.2
		Medium	m ³ /min	12.4	13.6
		Low	m ³ /min	10.3	11.4
	Heating	High	m ³ /min	16.1	17.4
		Medium	m ³ /min	13.9	15.1
		Low	m ³ /min	11.5	12.7
Fan	Motor	Quantity		1	1
		Model		ARW30R8P43DA	
		Number of steps		5	5
Motor	Speed (cooling)	High	rpm	1240	1330
		Medium	rpm	1090	1170
		Low	rpm	930	1010
	Speed (heating)	High	rpm	1270	1360
		Medium	rpm	1120	1200
		Low	rpm	960	1040
Fan	Motor	Output (high)	W	43	43
Cooling	Sound Power	Medium	dBA	59	61
	Sound Pressure	High	dBA	43	45
		Low	dBA	34	36
Heating	Sound Power	Medium	dBA	58	60
	Sound Pressure	High	dBA	42	44
		Low	dBA	33	35
Refrigerant	Type			R-410A	
Piping connections	Liquid (OD)	Diameter (OD)	mm	6.4	6.4
		Gas	Diameter (OD)	mm	12.7
	Drain	Diameter (OD)	mm	18	18
	Heat Insulation			Both liquid and gas pipes	
Air Filter			Removable/washable/Mildew proof		
Air direction control			Right, Left, Horizontal, Downward		
Temperature control			Microcomputer control		

2 Specifications

1
2

2-2 TECHNICAL SPECIFICATIONS			FTYN50FV1B	FTYN60FV1B
Standard Accessories	Item		Titanium apatite photocatalytic air purification filter	
	Quantity		2	2
	Item		Operation manual	
	Quantity		1	1
	Item		Installation manual	
	Quantity		1	1
	Item		Batteries	
	Quantity		2	2
	Item		Remote control holder	Mounting plate
	Quantity		1	1
	Item		Mounting plate	Indoor unit fixing screws
	Quantity		1	2
	Item		Indoor unit fixing screws	Wireless remote control
	Quantity		2	1
	Item		Wireless remote control	
Quantity		1		

2-3 ELECTRICAL SPECIFICATIONS				FTYN50FV1B	FTYN60FV1B
Power Supply	Name			V1	
	Phase			1	1
	Frequency	Hz		50	50
	Voltage	V		220-240	
Current	Nominal running current (RLA)	Cooling	A	0.15	0.18
		Heating	A	0.16	0.20
	Maximum Running Current		A	0.17	0.21
Wiring connections	For Power Supply	Quantity		3	3
	Remark		4 for interunit wiring (including earth wiring)		

3 Dimensional drawing & centre of gravity

3 - 1 Dimensional drawing

FTYN50-60F unit (mm)

The mark (→) shows piping direction

Left Rear 1050 Rear Right

(space for maintenance) 50 Min. 30 Min. (space for performance) 50 Min. (space for maintenance)

Required space

Operation lamp
Signal receiver
Indoor unit ON/OFF switch
Room temp. thermistor (Inside)
Timer lamp
Front grille fixing screws (inside)
Flaps
Signal transmitter

(Including mounting plate)
240
238
290
Model name plate
Terminal block with earth terminal (inside)

Gas pipe 12.7Cut (The length of pipe outside the unit: about 430)
Liquid pipe ϕ 6.4 CUT (the length of pipe outside the unit: about 480)
Drain hose for VP13 (connecting part I.D.14.0, O.D.18.0) (The hose length on the outside of the unit is approx. 530)

Signal transmitter
58 118
Infrared remote control (ARC433A72)

Blade angles

Horizontal blade (Automatic)
Cooling Heating Dry

10° 40° 15° 55° 5° 35° 55° 55° 50° 50°

Fan Vertical blade (Manual)

1050
893.5
52.5
155.5
290
60
99.5
52
Wall hole ϕ 80 hole
Wall hole for embedded piping ϕ 80 hole

Standard locations of wall holes

3D054939A

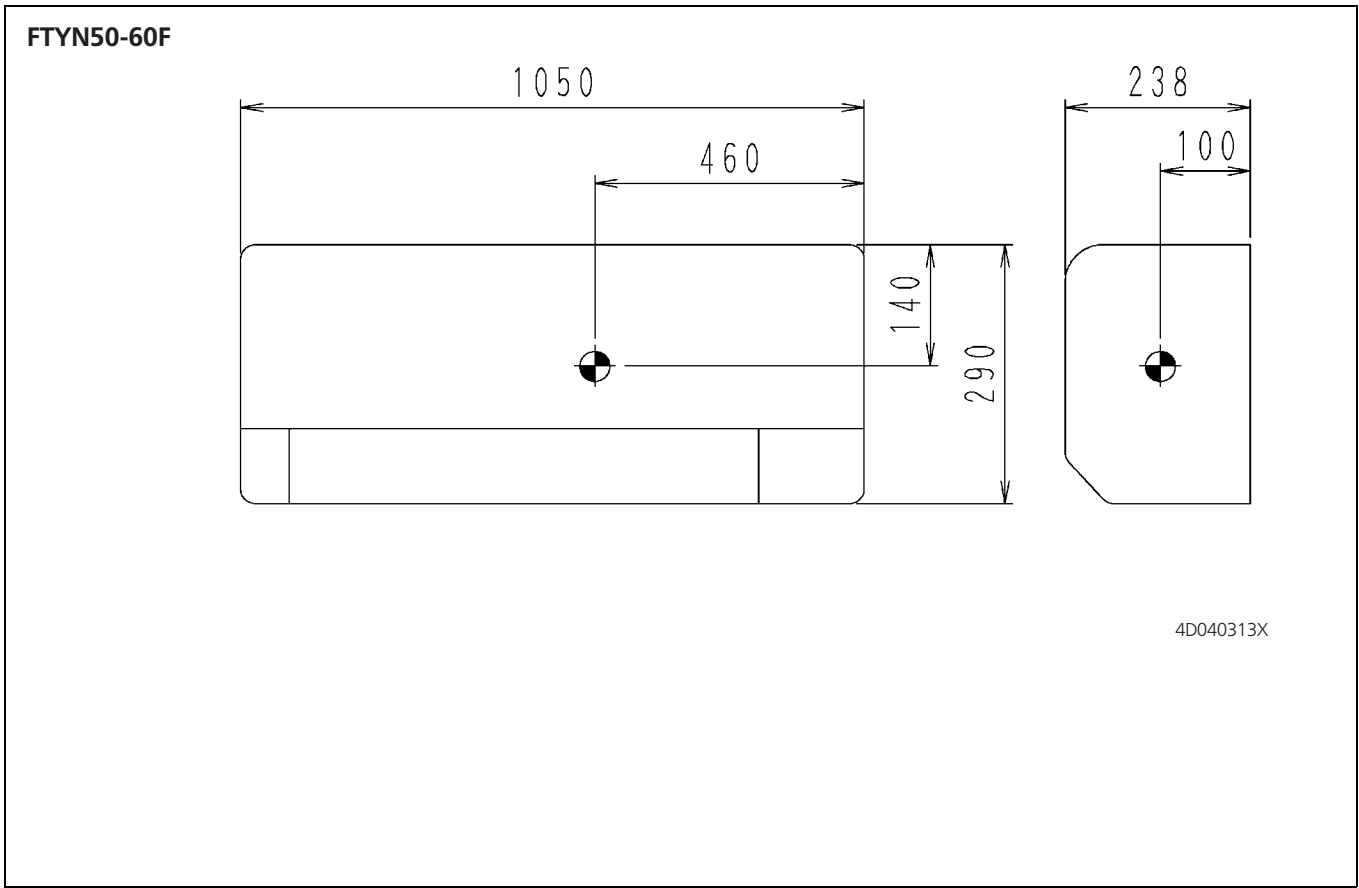
1
3

3 Dimensional drawing & centre of gravity

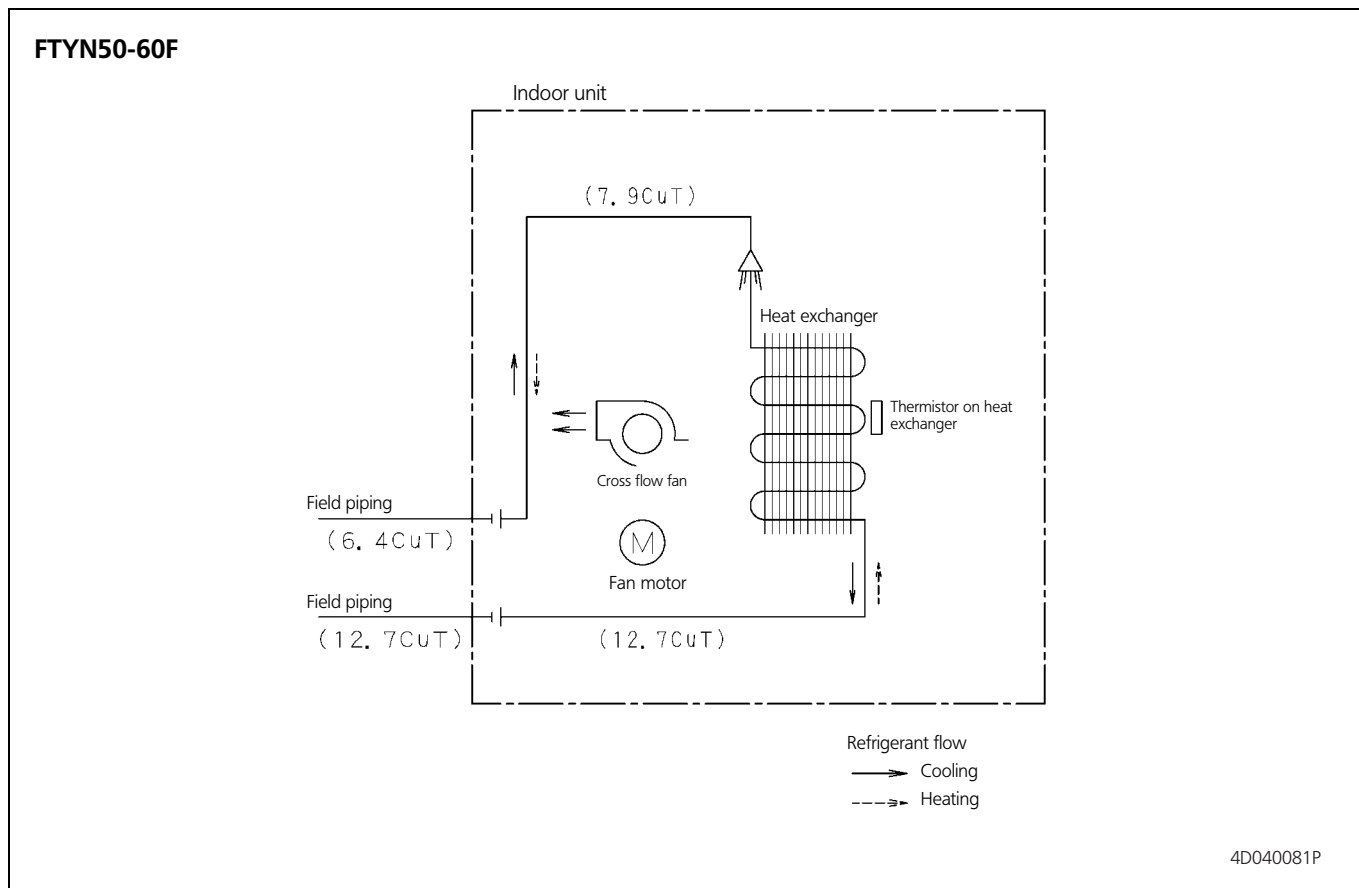
3 - 2 Centre of gravity

1

3



4 Piping diagram

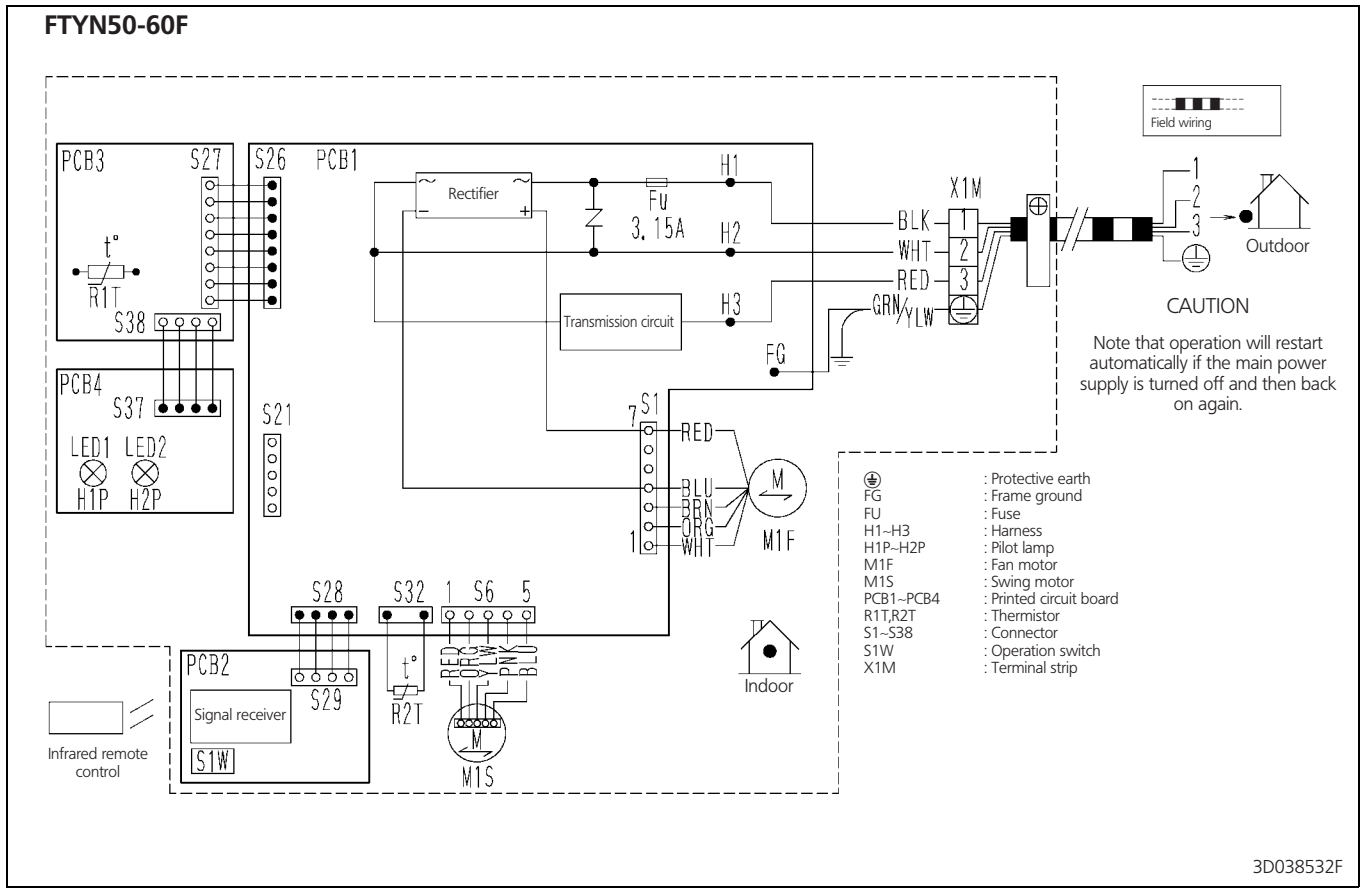


1
4

5 Wiring diagram

5 - 1 Wiring diagram

1
5



3D038532F

6 Sound data

6 - 1 Sound pressure spectrum

